

# Contents

1 .Usage.....	1
2. The main performance.....	2
3 The symbol of the inner lens and theirs functions.....	2
4. The operation of distance-measuring.....	3
5.Points for attention while using.....	3
6. Attachment.....	4

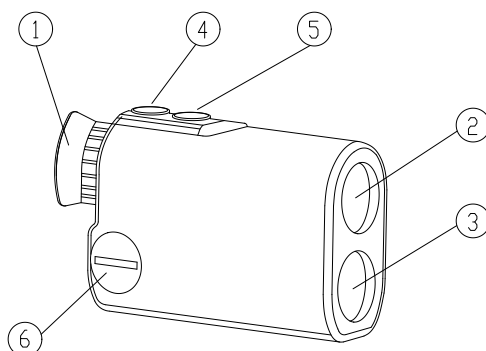
## 1 .Usage

6X25 laser rangefinder (abbreviated to VSLR), combined with the function of common telescope and laser distance-measuring instrument, could measure the distance of the object in the distance of the particular scope. It is to save time of, give or get an electric shock-Save, show the distance directly, and power- Go away automatically.

VSLR, which is safe for eyes for its mild emission, can measure any object .For its small volume and light weight, it is carried conveniently; it only needs a 3V battery that is convenient to buy and change .Besides, the utilizing the model of" RAIN", measuring-distance won't be affected even in rainy days, and utilizing the model of ">150", the influence of small objects beside (wires, branches, etc) could be eliminated.

The VSLR could be wildly used in sports and activities (golf, hunting, etc), measuring the distance of building electrical force and electrical wire pole as well as measuring the general terrain.

The shape of the VSLR as picture 1



图一

- 1 ---- The telescope eyepiece (inner—distance display)
- 2 ---- The telescope objective (laser emission objective)
- 3 ---- Laser reception objective
- 4 ---- Model button

5 ----Triggering button

6 ---- Battery lid

## 2. The main performance

2.1 Measurement range:5---800m

2.2 Measurement pattern: semiconductor laser measurement (harmless for eyes)

2.3 Error in measurement: $\pm 1m \pm 0.1\%$

2.4 The pattern of measurement display: Inner-vision-field LCD display

2.5 Effective objective lens aperture:25 mm

2.6 File coating: multiple file coating

2.7 Outlet pupil diameter: 3.8 mm

2.8 Outlet pupil distance: 12 mm

2.9 The pattern of alignment focus: eyepiece focusing adjustment

2.10 The telescope multiplying power:6×

2.11 Vision field within 1000 m: 122 m( $7^0$  of field of view)

2.12 The model of measurement: RAIN;RELF>150; standard model if no display

2.13 Mains voltage: 3V (excluded)

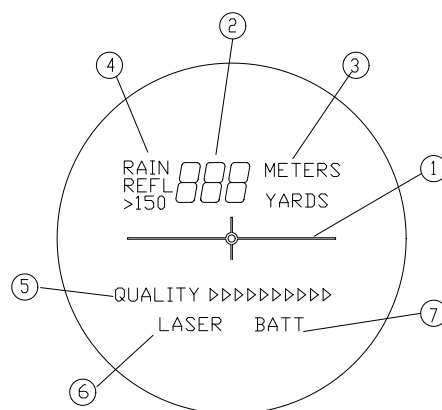
2.14 The size of the shape:40×99×68 mm

2.15 Weight: 180g

2.16 Water-proof function: not water-proof

## 3 The symbol of the inner lens and theirs functions

3.1 Symbol sketch as picture 2



图二

Picture 2 Telescope inner distance—measuring symbol sketch map

3.2 Symbol for aim: “--|--” ,in which center there is a circle that used while measuring .

3.3 Distance—displaying : a three-figure number just above the field of vision ; It displays “ — ” when there is no distance.

3.4 Distance unit : “METERS” (m) or “YARDS”(yd).



5.2 Don't cleanse the outside of the lens with hands ,please cleanse the lens with appropriate lens-cloth .The outside lens should be cleansed with soft cloth.

5.3 Don't invert the battery.

5.4 The battery should be taken out if the VSLR isn't in use for a long time.

5.5 It should be put in a dry place when not in use .

5.6 It should be used when the temperature is between  $-20^{\circ}\text{C}$ --- $40^{\circ}\text{C}$ .

5.7 The 'MODE' and 'ON/ADJUST' button does not be pressed down jointly.

5.8 The Laser Rangefinder should be repaired only by qualified professionals. Please do not disassemble or repair the product on your own, or the after-service guarantee would be rendered invalid.

## 6. Attachment

Leather box----- one

Strap-----one

The lens cleanse cloth-----one

Directions-----one